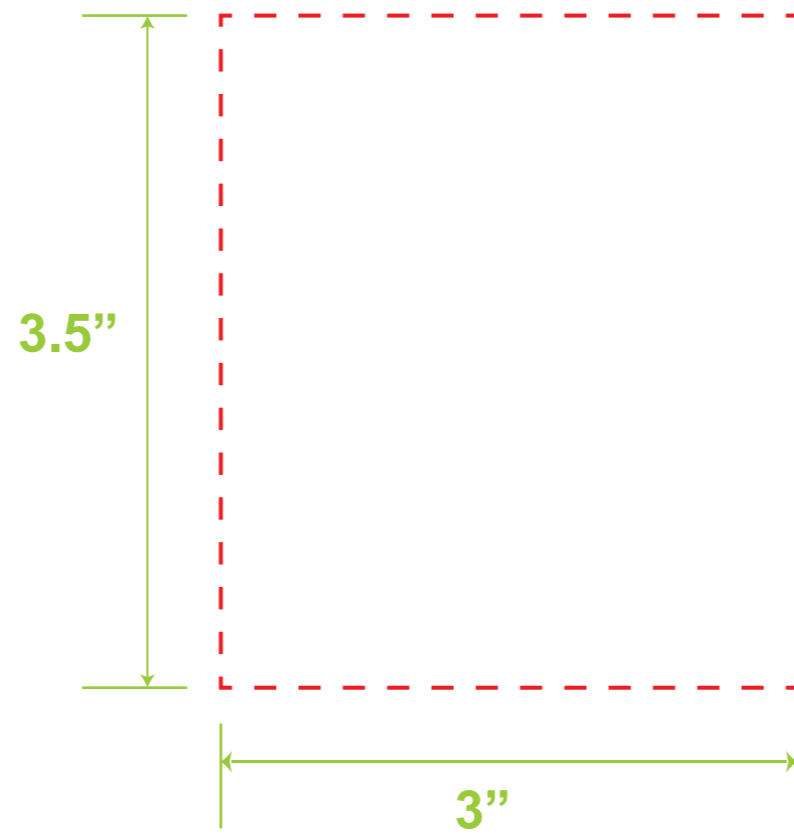
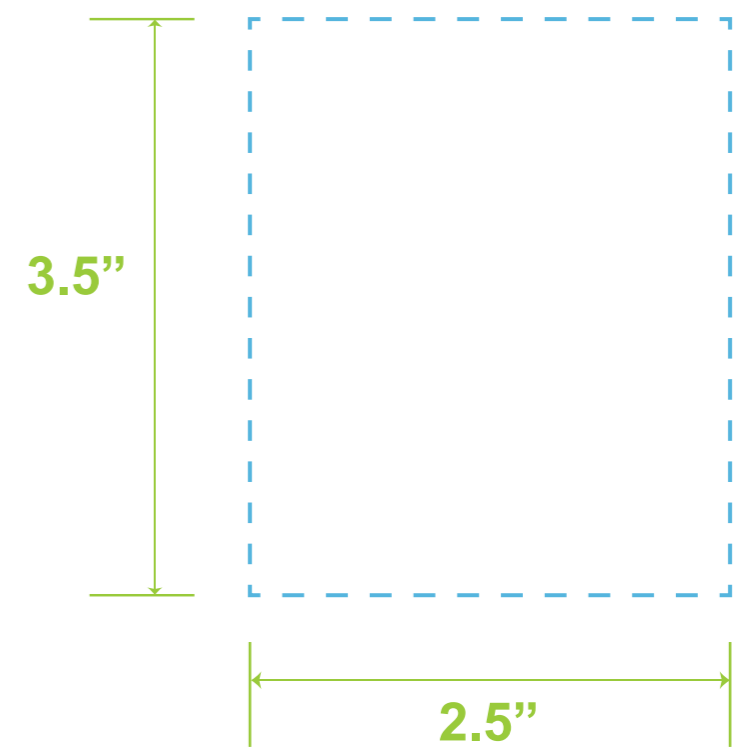


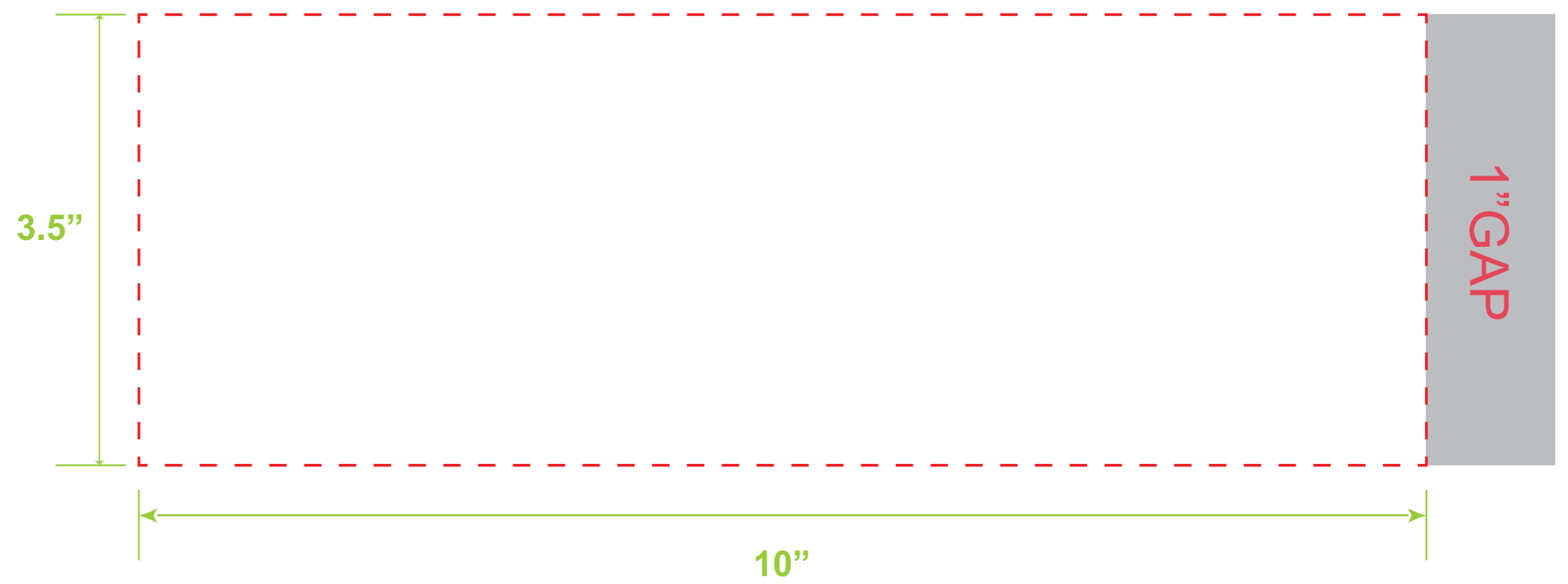
Silkscreen Printing  
One Side Standard: 3" W x 3.5" H



Laser Engraving  
One Side Standard: 2.5"W x 3"H



Silkscreen Printing  
Full wrap with GAP: 10" W x 3.5" H



Full Color Digital Seamless Wrap: 11" W x 4.55" H

