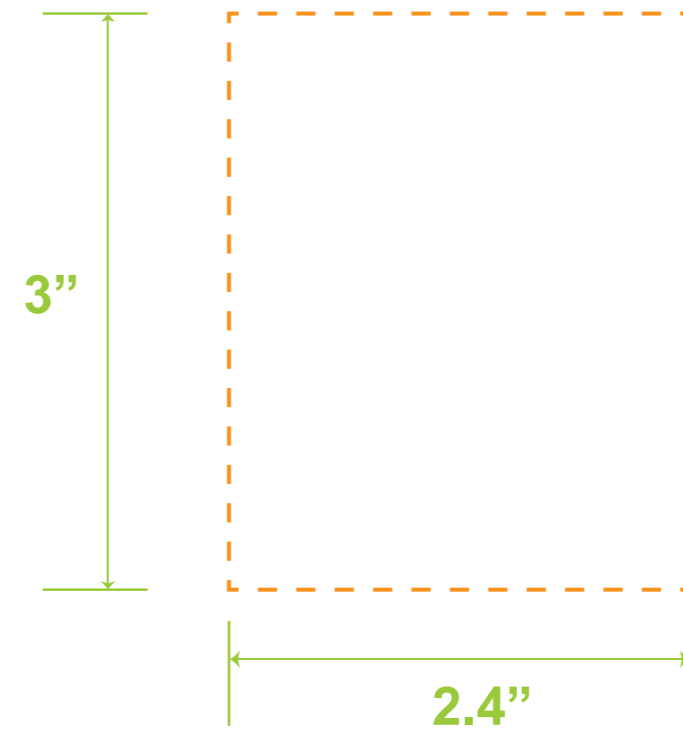


Full Color  
One Side Standard: 2.4"W x 3"H



Silkscreen  
Laser Engraving  
One Side Standard: 2.5"W x 3"H

