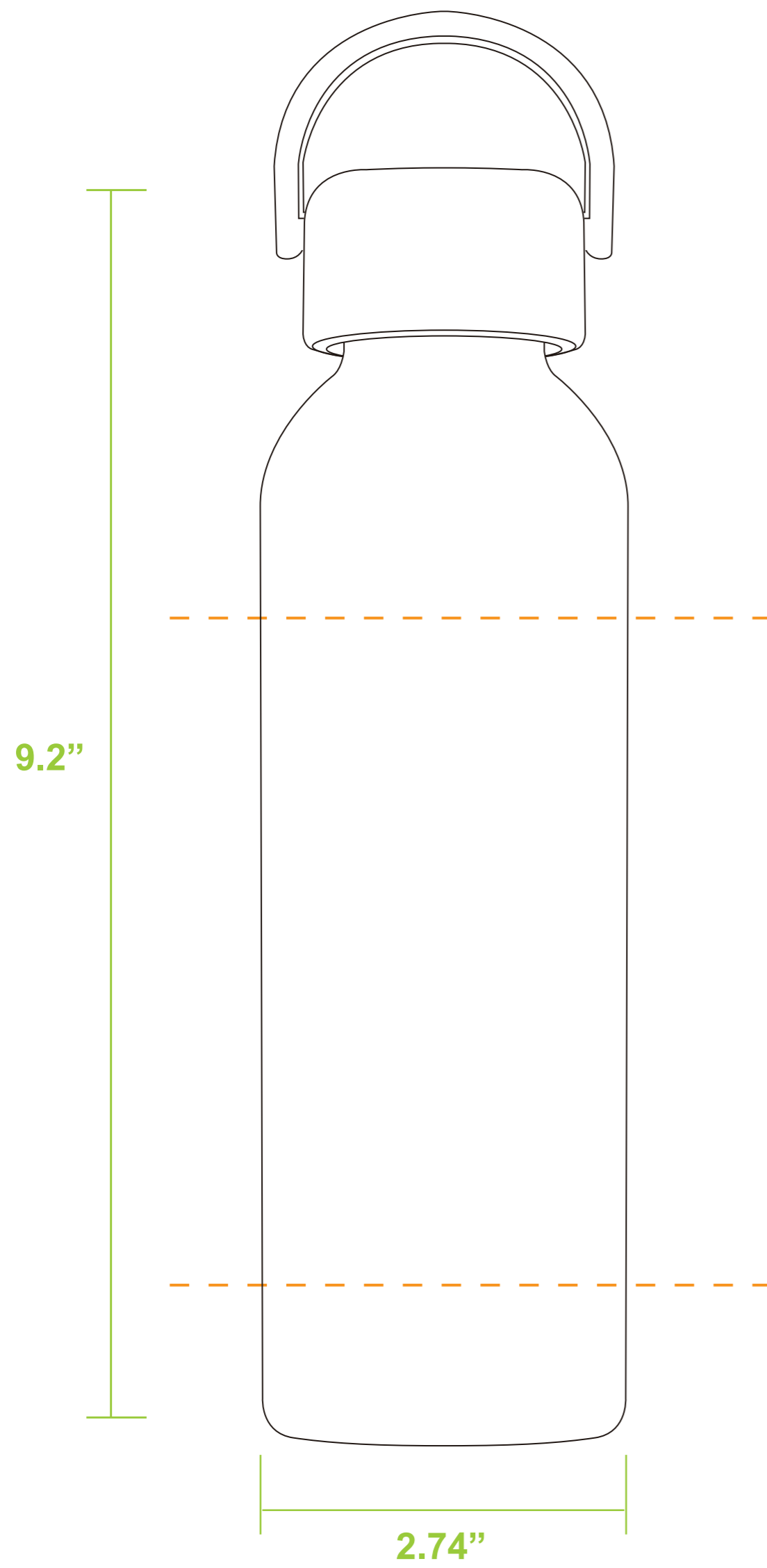
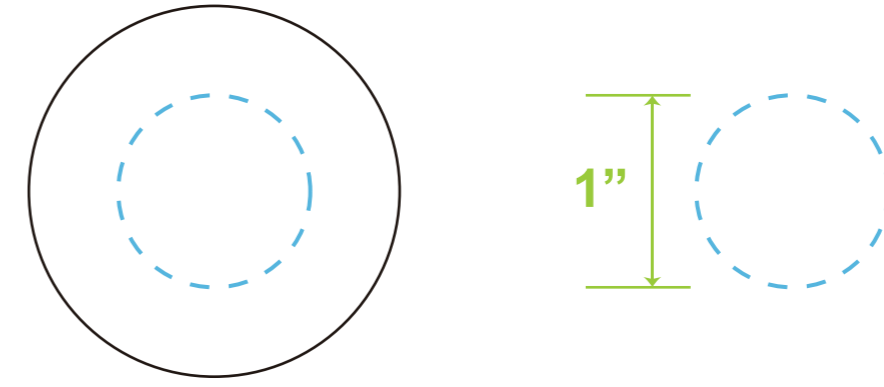
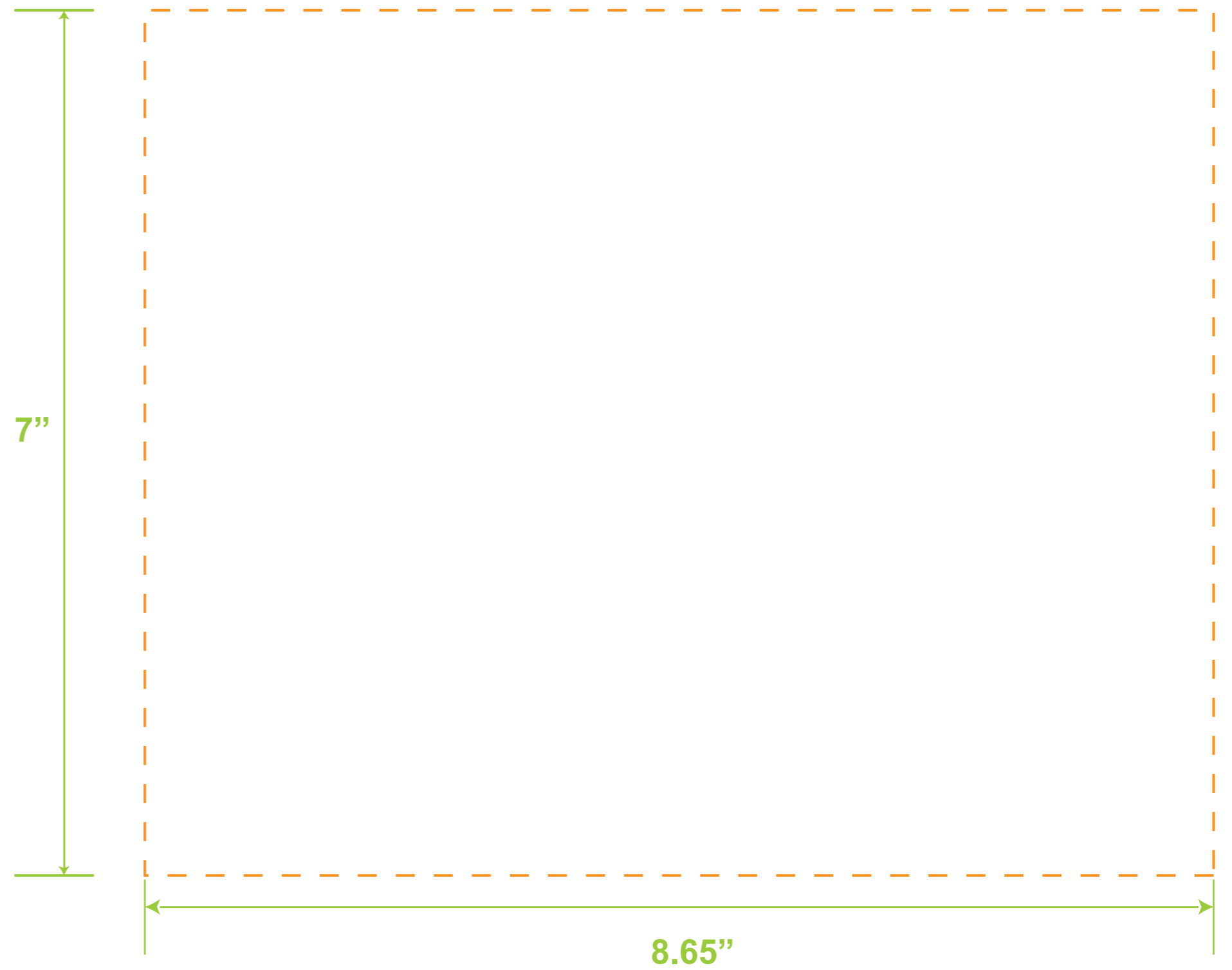


Full Color Digital / Laser Engraving  
on Lid Size: 1" in diameter



Full Color Digital Seamless Wrap: 8.65" W x 7" H



Silk Screen Printing  
Full wrap with GAP: 7.6" W x 6.5" H

Silkscreen Printing  
One Side Standard: 3" W x 4" H

Laser Engraving  
One Side Standard: 2"W x 4"H

